

ASSEMBLY INSTRUCTIONS

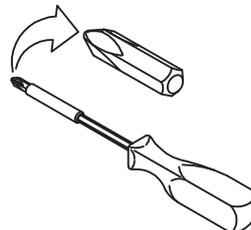
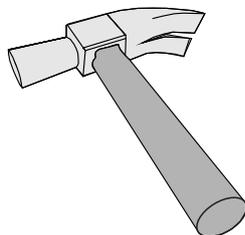
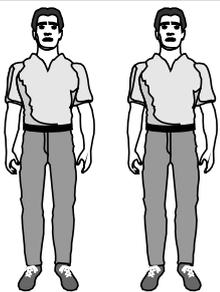
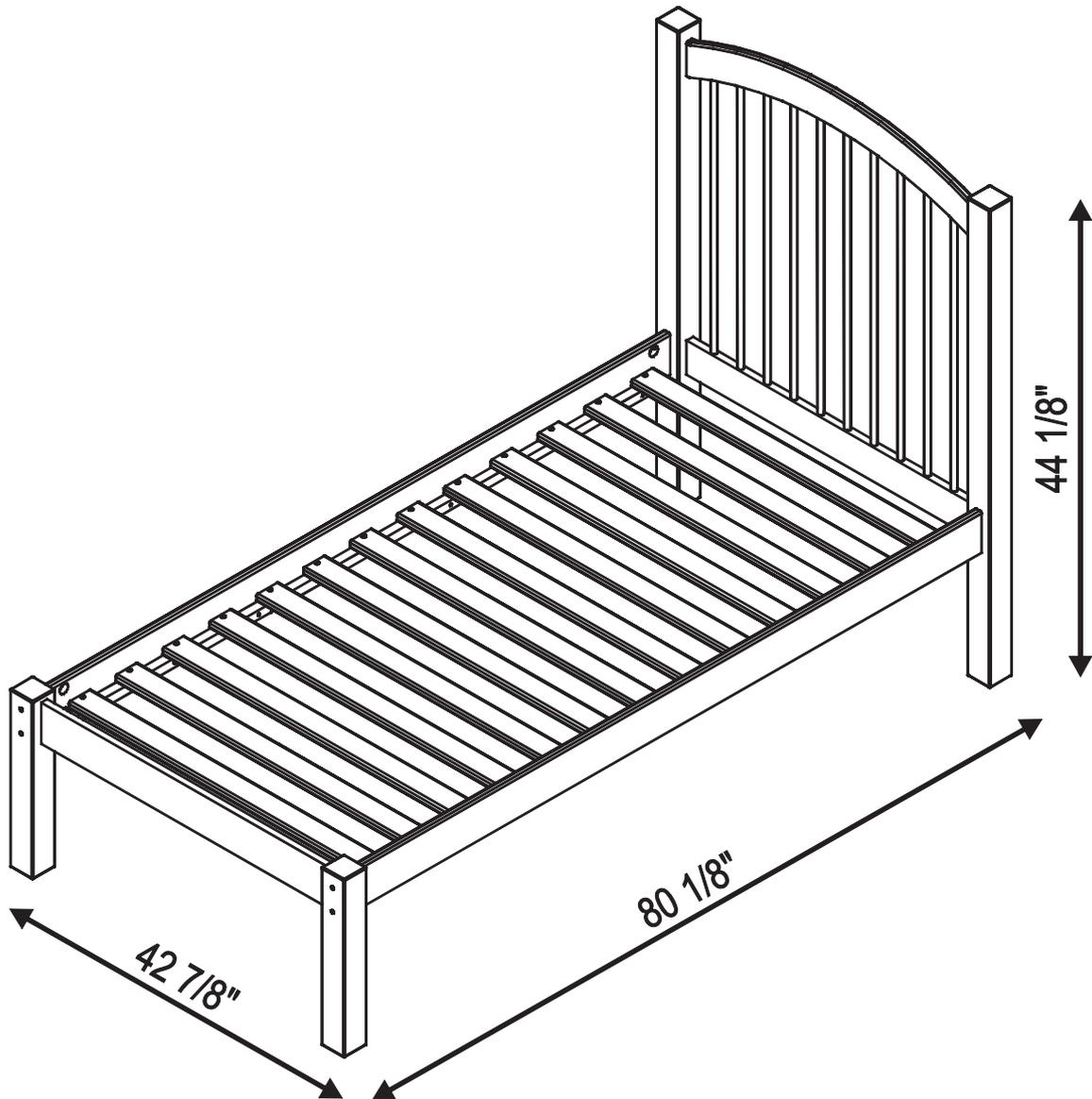
ALASKA TWIN BED

Ref. 2131 - Whitewash

Ref. 2132 - Mahogany

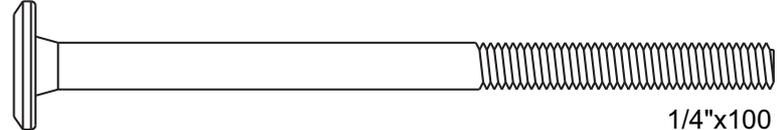
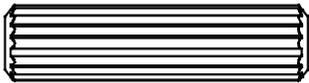
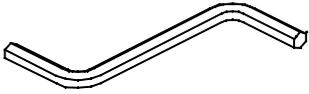
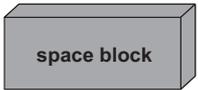
Ref. 2134 - Honey Pine

Ref. 2136 - Java



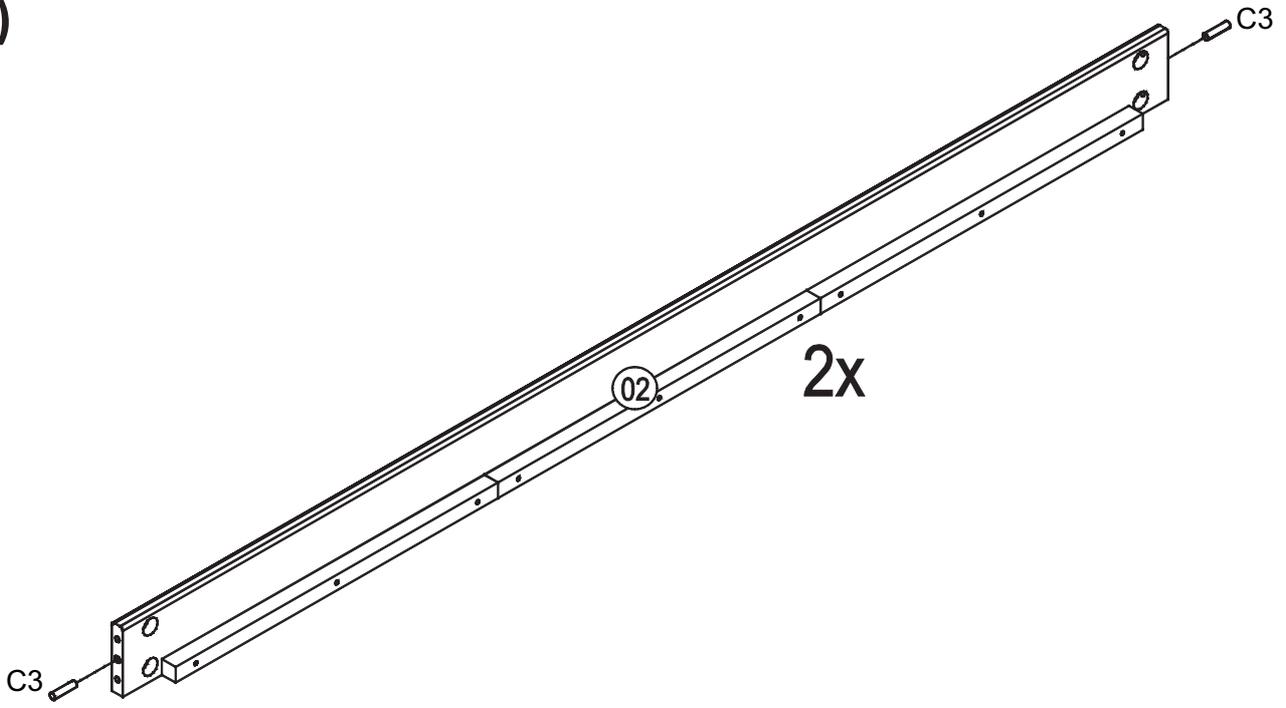
45 min

HARDWARE IS SHOWN IN ACTUAL SIZE

A10	 <p style="text-align: right;">3,5x30</p>	26
B5	 <p style="text-align: right;">1/4"</p>	08
B12	 <p style="text-align: right;">1/4"x100</p>	08
C3	 <p style="text-align: right;">10x40</p>	04
G3		01
G4	 <p style="text-align: center;">space block</p>	02

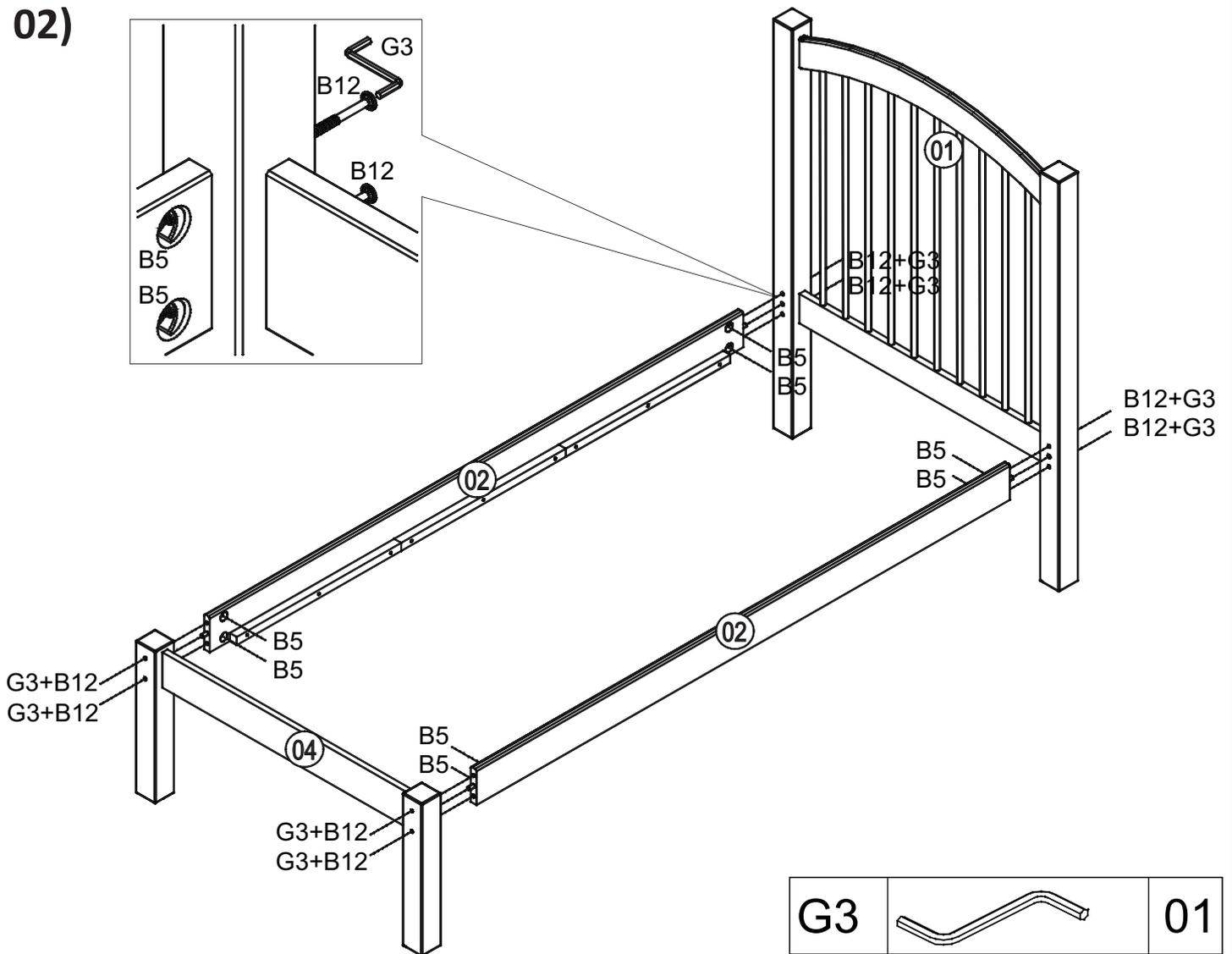
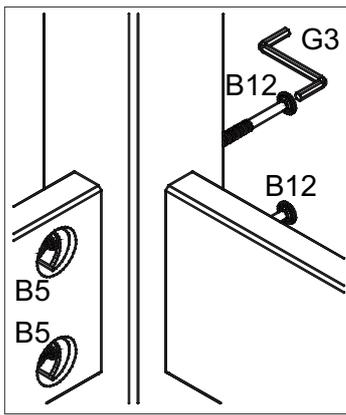


01)

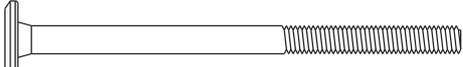


C3		04
----	---	----

02)



G3		01
----	---	----

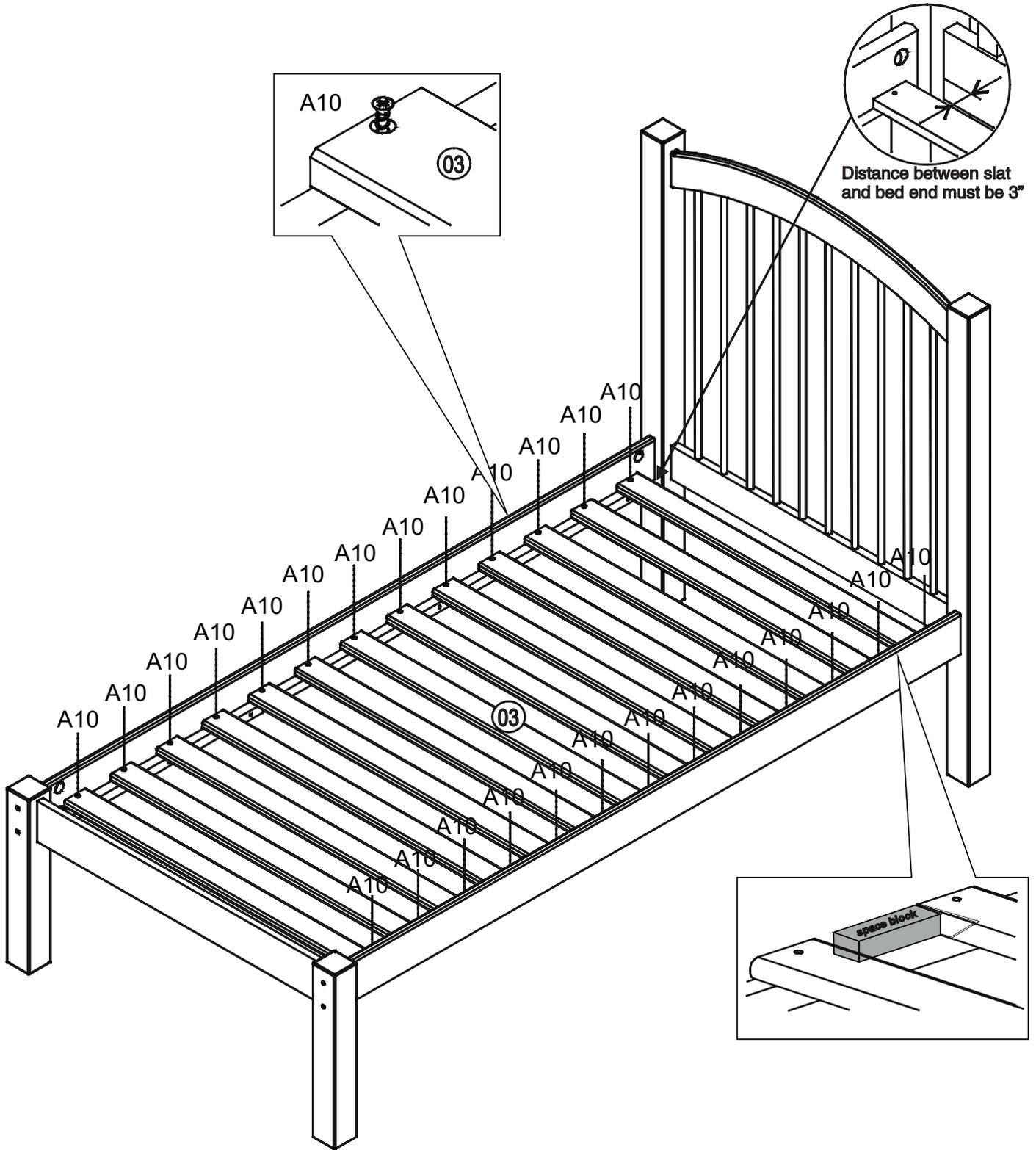
B12		08
-----	---	----

B5		08
----	---	----

1/4"x100

1/4"

03)



A10	 3.5x30	26
G4	 space block	02